

Nonmetallic Light Fixtures



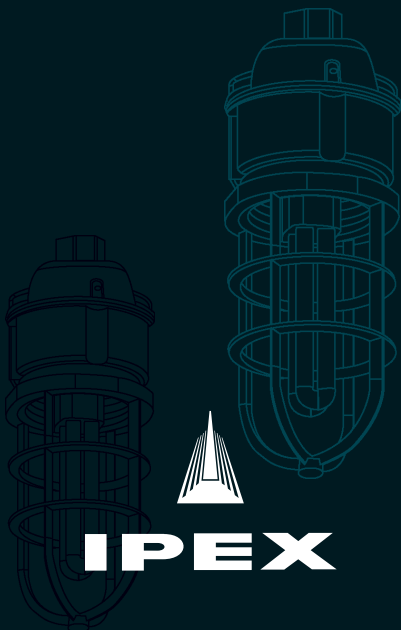
Sceptalight™
Nonmetallic Light Fixtures

ELECTRICAL SYSTEMS

- Wet Locations
- Hazardous Locations
- Marine Locations
- Utility Light Fixtures

www.ipexamerica.com

We build tough products for tough environments®



IPEX

SCEPTALIGHT™ : THE LIGHT THAT LASTS

Whether you're looking for economical outdoor lighting solutions or corrosion-resistant fixtures for punishing industrial environments, Sceptalight fixtures from IPEX prove themselves to be all-round performers in a variety of indoor and outdoor applications. Sceptalight fixtures are made from a glass-reinforced thermoplastic polyester resin, which enable them to stand up better to corrosive elements than metal. This thermoplastic design marries an unrivaled balance of strength, stiffness and toughness with all the benefits users appreciate of Scepter rigid PVC conduit and fittings – long life, easy servicing and high impact-resistance.

Sceptalight's thermoplastic construction offers outstanding corrosion and chemical resistance. And its interior and exterior silicone gaskets create a watertight seal, the reason it performs equally well indoors and outside.

Wherever you need a lighting fixture that can withstand exposure to chemicals, fluids or harsh physical conditions, you'll find a home for Sceptalight.





STABLE CONSTRUCTION

Reinforced support feet offer secure mounting.

ADAPTABLE

Threaded conduit hubs permit connection to nonmetallic and metallic raceways.

WATERTIGHT SEAL

Temperature and weather-resistant silicone gaskets protect fixture from moisture penetration.

LONG LIFE

Sceptalight nonmetallic fixtures provide long life and easy servicing—unlike metal fixtures and guards that can corrode and seize together.

INDOOR/OUTDOOR USE

UV-resistant material makes Sceptalight fixtures suitable for both indoor and outdoor use.

CORROSION RESISTANT

Thermoplastic construction resists attack from acids, alcohols, alkalis, organic solvents, detergents/ cleaners, greases and oils as well as many other types of chemicals.

Withstands exposure to direct sunlight, heat, salt water and extreme weather.

DURABLE, IMPACT RESISTANT

High-impact nonmetallic guard resists physical impact, chemical attack and heat-induced deformation.

TYPICAL APPLICATIONS



Chemical Plant



Food Processing



Marine



Industrial / Commercial



Agricultural

SCEPTALIGHT™: OPTIONS FOR EVERY APPLICATION

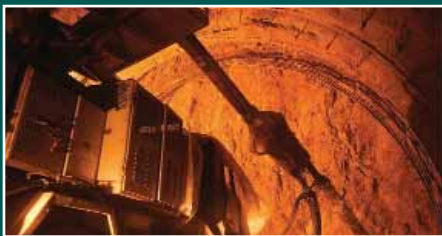
TYPICAL APPLICATIONS



Highway Tunnel



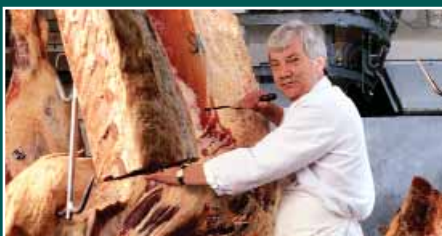
Waste Water



Mine Tunnels



Greenhouses



Walk-in Freezers



MARINE LOCATIONS

C22.2 No. 250

UL 1598, UL 1598A

Minimum 110°C supply conductors



WET LOCATIONS

C22.2 No. 250

UL 1598

Minimum 60°C supply conductors

Silicone gaskets in all Sceptalight fixtures – mounted at the base of the globe and within the ceiling box – provide a water- and vapor-tight seal which protects the electrical connections inside. Certified to U.S. standards for wet and marine locations, Sceptalight fixtures are built to withstand any environment where liquids drip, splash or flow against electrical equipment. For this reason, Sceptalight offers the perfect solution for a wide range of lighting applications including water treatment centers, salt water docks and food processing plants. And our polycarbonate globes are an excellent alternative to glass in punishing environments where high impact resistance is important.

Sceptalight's tough construction makes it equally well-suited for outdoor use. Manufactured with thermoplastic polyester resin, a material that endures -40°F to +302°F, Sceptalight fixtures operate in extreme temperatures and are resistant to damaging ultraviolet rays. For years, our fixtures have been proven performers on docks, wharfs, decks, walkways, shipyards and a variety of other applications where exposed to the elements.

For light to medium duty applications that do not require the same level of ruggedness, Sceptalight has a low-cost ceiling-mounted Utility Light Fixture available (Incandescent only).



HAZARDOUS LOCATIONS

CLASS I, DIV 2 Groups A, B, C & D

CLASS II, DIV 2 Groups F & G

Minimum 90°C supply conductors

Sceptalight offers fixtures that are certified to U.S. standards for hazardous locations, making them the ideal choice for specific harsh industrial environments involving flammable or explosive gases, vapors or dusts. In addition to their sturdy construction, all our fixtures rated for hazardous locations include a heat-treated globe designed to endure drastic temperature changes such as direct spray of cool water on a hot fixture. Sceptalight fixtures are equipped with brass screws and inserts to ensure performance in punishing industrial conditions.

From petrochemical plants to pulp and paper mills, walk-in freezers to greenhouses, Sceptalight fixtures are designed to work long and reliably in the most extreme and demanding industrial environments.

& ENVIRONMENT

MOUNTING OPTIONS



CEILING MOUNT

Box with four 3/4" threaded hubs and integral mounting feet.



WALL MOUNT

Box with four 3/4" threaded hubs, 90° wall bracket and integral mounting feet.



PENDANT MOUNT

Pendant cap with 3/4" threaded hub and a locking set screw.

GLOBE OPTIONS

Sceptalight offers a variety of globe options to suit a wide range of applications and environments. Our standard clear glass globes are ideal for general purpose area lighting for either indoor or outdoor use. Polycarbonate globes offer impact resistance in case of accidental contact and the assurance that work areas are not contaminated by broken glass.

Colored globes – available in red, blue, green or amber – can transform the light to an indicator or warning light.



Clear
Polycarbonate



Standard or
Heat-treated
Clear Glass



Heat-treated
Red Glass



Heat-treated
Blue Glass



Heat-treated
Green Glass



Heat-treated
Amber Glass

LIGHT OPTIONS

Sceptalight offers the choice of energy-efficient compact fluorescents or cost-effective incandescents.

FLUORESCENTS

Our compact fluorescent fixtures work four to five times more efficiently per watt than incandescents and provide 10-20 times the lamp life, yet use approximately 75% less energy. In this way, Sceptalight fluorescents lower energy and maintenance costs without sacrificing light levels.

INCANDESCENTS

With their low initial cost, Sceptalight incandescent fixtures make the most practical choice to meet the daily needs of commercial, industrial, marine and agricultural applications. Our incandescents are ideal for short burn times as well as flashing and dimming applications.

SUGGESTED SPECIFICATION

Light fixtures shall be nonmetallic and constructed of 30% glass filled polyester material exhibiting a maximum linear expansion of 1.4×10^{-5} in./in./°F. Fixtures shall be assembled with high temperature silicone gaskets, brass inserts and screws.

Incandescent light fixtures shall be rated for use with a Maximum 150 Watt incandescent lamp for wet and hazardous locations and to a Maximum 100 Watt for marine locations. Compact fluorescent light fixtures shall be of the wattage specified and be supplied complete with lamp and ballast (high power factor, low harmonic electronic for 18 & 26 Watt fixtures and magnetic for 7, 9 & 13 Watt fixtures).

Light fixtures shall be third-party certified to UL1598A for marine locations with salt water, UL1598 for indoor/outdoor wet location use and where the specified installation requires; Class I Div 2 and Class II Div 2 hazardous location use.

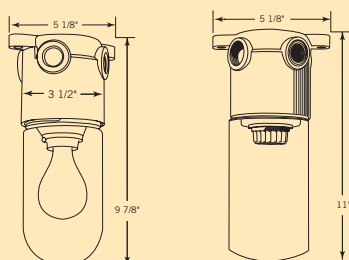
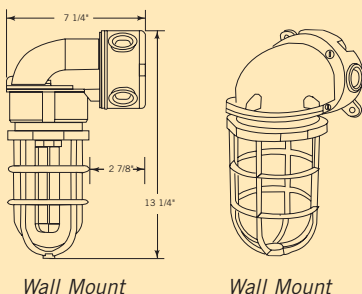
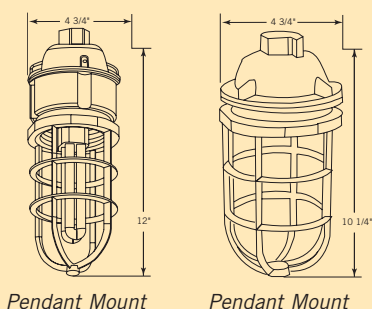
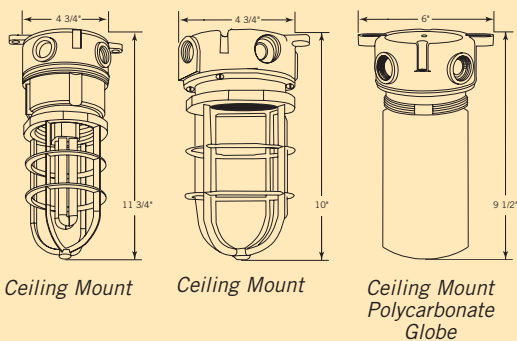
APPROVED PRODUCTS:

Sceptalight™ LVPF/LVPL/LVPE/LPMF/LPPL series light fixtures manufactured by IPEX.



WET LOCATIONS

DIMENSIONS



CEILING

Ceiling Mount with Standard Clear Glass Globe		Part Number	Product Code
150W	Incandescent	LVPF150C	077225
150W	Incandescent less guard	LVPF150LG	077237
26W	Compact Fluorescent	LVPL26C	077170
18W	Compact Fluorescent	LVPL18C	077210
13W	Compact Fluorescent	LVPL13C	077122
9W	Compact Fluorescent	LVPL9C	077121
7W	Compact Fluorescent	LVPL7C	077120
Ceiling Mount with Clear Polycarbonate Globe (no guard)		Part Number	Product Code
26W	Compact Fluorescent	LVPL26PCC	077176
18W	Compact Fluorescent	LVPL18PCC	077211
13W	Compact Fluorescent	LVPL13PCC	077165
9W	Compact Fluorescent	LVPL9PCC	077155
7W	Compact Fluorescent	LVPL7PCC	077145

PENDANT

Pendant Mount with Standard Clear Glass Globe		Part Number	Product Code
150W	Incandescent	LPMF150C	077231
26W	Compact Fluorescent	LPPL26C	077184
18W	Compact Fluorescent	LPPL18C	077212
13W	Compact Fluorescent	LPPL13C	077185
9W	Compact Fluorescent	LPPL9C	077183
7W	Compact Fluorescent	LPPL7C	077182
Pendant Mount with Clear Polycarbonate Globe (no guard)		Part Number	Product Code
26W	Compact Fluorescent	LPPL26PCC	077375
18W	Compact Fluorescent	LPPL18PCC	077273
13W	Compact Fluorescent	LPPL13PCC	077365
9W	Compact Fluorescent	LPPL9PCC	077355
7W	Compact Fluorescent	LPPL7PCC	077345

CEILING

Utility Light Fixture 150 Watt Incandescent		Part Number	Product Code
w/ Standard Glass Globe		LVPE150-10/15	077493
* w/ Polycarbonate Globe		LVPE150-PCC	077181
w/ Standard glass globe & guard		LVPE150-10/15G	077402
w/ Heat resistant glass globe clear		LVPEHRC150	077578
w/ Heat resistant glass globe red		LVPEHRR150	077599
w/ Heat resistant glass globe blue		LVPEHRB150	077579
w/ Heat resistant glass globe green		LVPEHRG150	077597
w/ Heat resistant glass globe amber		LVPEHRA150	077598
Clamp-on guard for LVPE		LVPU150	077558

* Maximum 60W incandescent lamp with polycarbonate globe



MARINE LOCATIONS

CEILING	Ceiling Mount with Standard Clear Glass Globe		Part Number	Product Code
	100W	Incandescent	LVPF100C-MAR	077275
PENDANT	Pendant Mount with Standard Clear Glass Globe		Part Number	Product Code
	100W	Incandescent	LPMF100C-MAR	077276



HAZARDOUS LOCATIONS

CEILING	Ceiling Mount with Heat Resistant Glass Globe		Part Number	Product Code
	150W	Incandescent clear	LVPF150HRC-HAZ	077414
	150W	Incandescent red	LVPF150HRR-HAZ	077415
	150W	Incandescent blue	LVPF150HRB-HAZ	077416
	150W	Incandescent green	LVPF150HRG-HAZ	077417
	150W	Incandescent amber	LVPF150HRA-HAZ	077494
	26W	Compact Fluorescent clear	LVPL26HRC-HAZ	077377
	26W	Compact Fluorescent red	LVPL26HRR-HAZ	077378
	26W	Compact Fluorescent blue	LVPL26HRB-HAZ	077379
	26W	Compact Fluorescent green	LVPL26HRG-HAZ	077399
	26W	Compact Fluorescent amber	LVPL26HRA-HAZ	077400
	18W	Compact Fluorescent clear	LVPL18HRC-HAZ	077347
	18W	Compact Fluorescent red	LVPL18HRR-HAZ	077348
	18W	Compact Fluorescent blue	LVPL18HRB-HAZ	077349
18W	Compact Fluorescent green	LVPL18HRG-HAZ	077353	
18W	Compact Fluorescent amber	LVPL18HRA-HAZ	077354	
PENDANT	Pendant Mount with Heat Resistant Glass Globe		Part Number	Product Code
	150W	Incandescent clear	LPMF150HRC-HAZ	077495
	150W	Incandescent red	LPMF150HRR-HAZ	077496
	26W	Compact Fluorescent clear	LPPL26HRC-HAZ	077407
	26W	Compact Fluorescent red	LPPL26HRR-HAZ	077409
	18W	Compact Fluorescent clear	LPPL18HRC-HAZ	077500
18W	Compact Fluorescent red	LPPL18HRR-HAZ	077498	

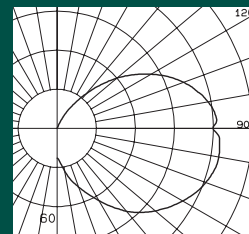


ALL LOCATIONS

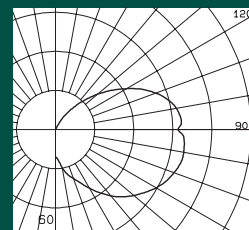
WALL	Description	Part Number	Product Code
	Use with Wet, Marine and Hazardous locations. For wall mount fixtures select and order the appropriate style (wattage and globe) ceiling mount fixture from above and add LWB150. Wall Mount bracket	LWB150	077233

Sceptalight compact fluorescent light fixtures are supplied complete with lamp and ballast.

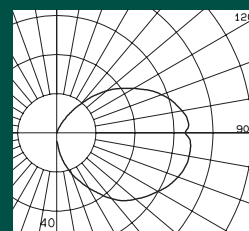
PHOTOMETRIC DATA



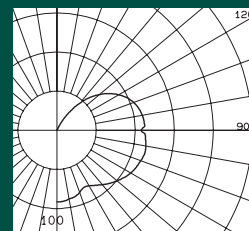
26W Quad Compact Fluorescent



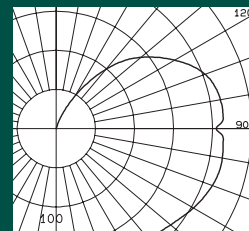
18W Quad Compact Fluorescent



13W Twin-Tube Compact Fluorescent



100W 120V Coated A19 Incandescent



150W 120V Coated A21 Incandescent

For detailed technical and photometric information please consult our Technical Guide or our Website: www.ipexinc.com.

CUSTOMER SERVICE CENTER

IPEX USA LLC
2441 Royal Windsor Drive
Mississauga, Ontario L5J 4C7
Phone: (905) 403-0264
Toll Free: (800) 463-9572
Fax: (905) 403-9195

www.ipexamerica.com

About the IPEX Group of Companies

As leading suppliers of thermoplastic piping systems, the IPEX Group of Companies provides our customers with some of the world's largest and most comprehensive product lines. All IPEX products are backed by more than 50 years of experience. With state-of-the-art manufacturing facilities and distribution centers across North America, we have established a reputation for product innovation, quality, end-user focus and performance.

Markets served by IPEX group products are:

- Electrical systems
- Telecommunications and utility piping systems
- PVC, CPVC, PP, ABS, PEX, FR-PVDF and PE pipe and fittings (1/4" to 48")
- Industrial process piping systems
- Municipal pressure and gravity piping systems
- Plumbing and mechanical piping systems
- PE Electrofusion systems for gas and water
- Industrial, plumbing and electrical cements
- Irrigation systems

Products manufactured by IPEX Electrical Inc. and distributed in the United States by IPEX USA LLC.

SceptalLight™ is a trademark of IPEX Branding Inc.

This literature is published in good faith and is believed to be reliable. However, it does not represent and/or warrant in any manner the information and suggestions contained in this brochure. Data presented is the result of laboratory tests and field experience.

A policy of ongoing product improvement is maintained. This may result in modifications of features and/or specifications without notice.



BRELLFIP060514R © 2009 IPEX EL0028U

DISTRIBUTED BY